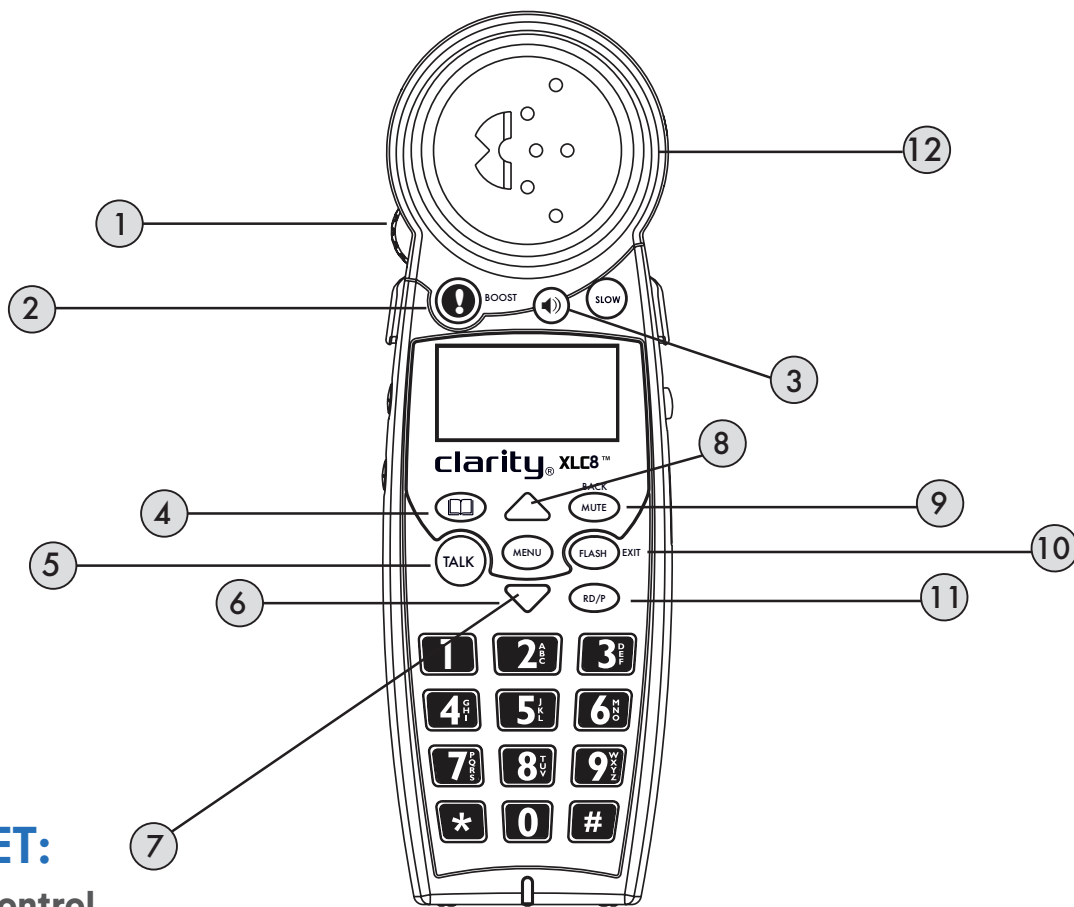


XLC 3.4+ Cordless Handset Quick Reference Guide





HANDSET:

1. Volume Control

– turn up to increase or down to decrease volume when phone is in use.

2. Boost

– press button for extra volume amplification, glows red when engaged. Press and hold button for 3 seconds to engage outgoing speech amplification. You may also engage Auto Boost to automatically turn Boost on every time a call starts.

3. Speaker Call

– press to activate speakerphone, press again to deactivate.

4. Phonebook

– accesses your list of saved names and numbers.

5. Talk

– press to place calls or answer calls, glows green during a call.

6. Arrow Up & Down

– press up and down to navigate through the menu of phone functions such as caller list, phone book, ringer setup, boost amplification feature and more.

7. Bottom Menu Button

– press to see a list of your phone’s functionality.

8. Top Menu Button

– press for one-touch dialing when making a call.

9. Mute/Back

– “Mute” enables you to have private conversations the caller can’t hear. “Back” enables you to return to the previous screen when in the Menu mode.

10. Flash/Exit

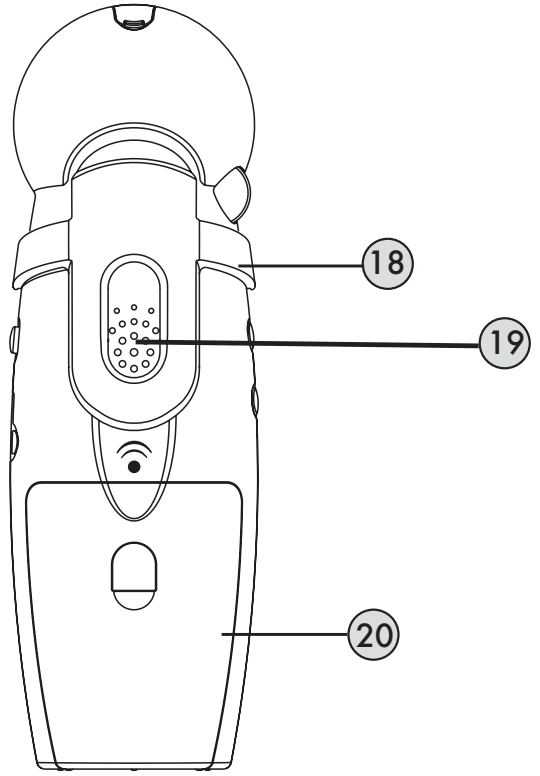
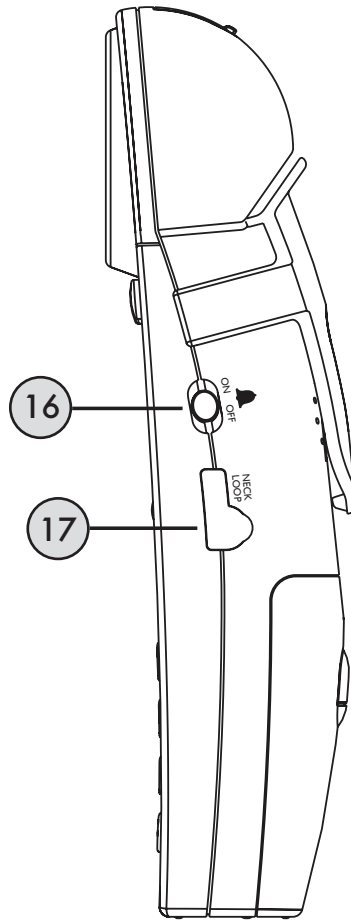
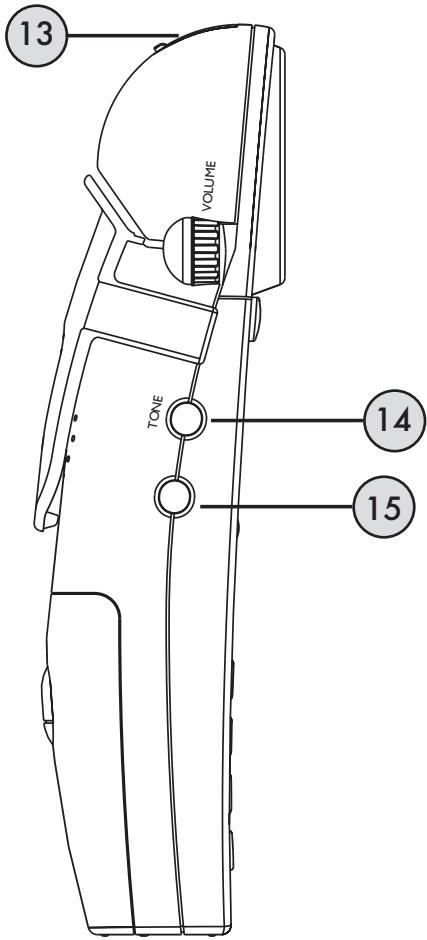
– “Flash” enables you to receive another incoming call when you are on a call (Call Waiting). “Exit” returns you to the Standby mode when phone is in the Menu mode.

11. RD/P (Redial/Pause)

– press to redial last number dialed or to insert a two-second pause when programming a memory function.

12. Visual Ringer

– red ring lights up when phone is in use or to indicate an incoming call.



HANDSET (Cont'd):

13. Headset Port

– enables you to page between phones, if you have multiple Clarity phones on the same phone number.

14. Tone

– press to select from available audio tones.

15. Intercom

– enables you to page between phones, if you have multiple Clarity phones on the same phone number.

16. Ringer On/Off

– switch to turn audio ringer on and off.

17. Neck Loop

– can add a 3.4mm neck loop.

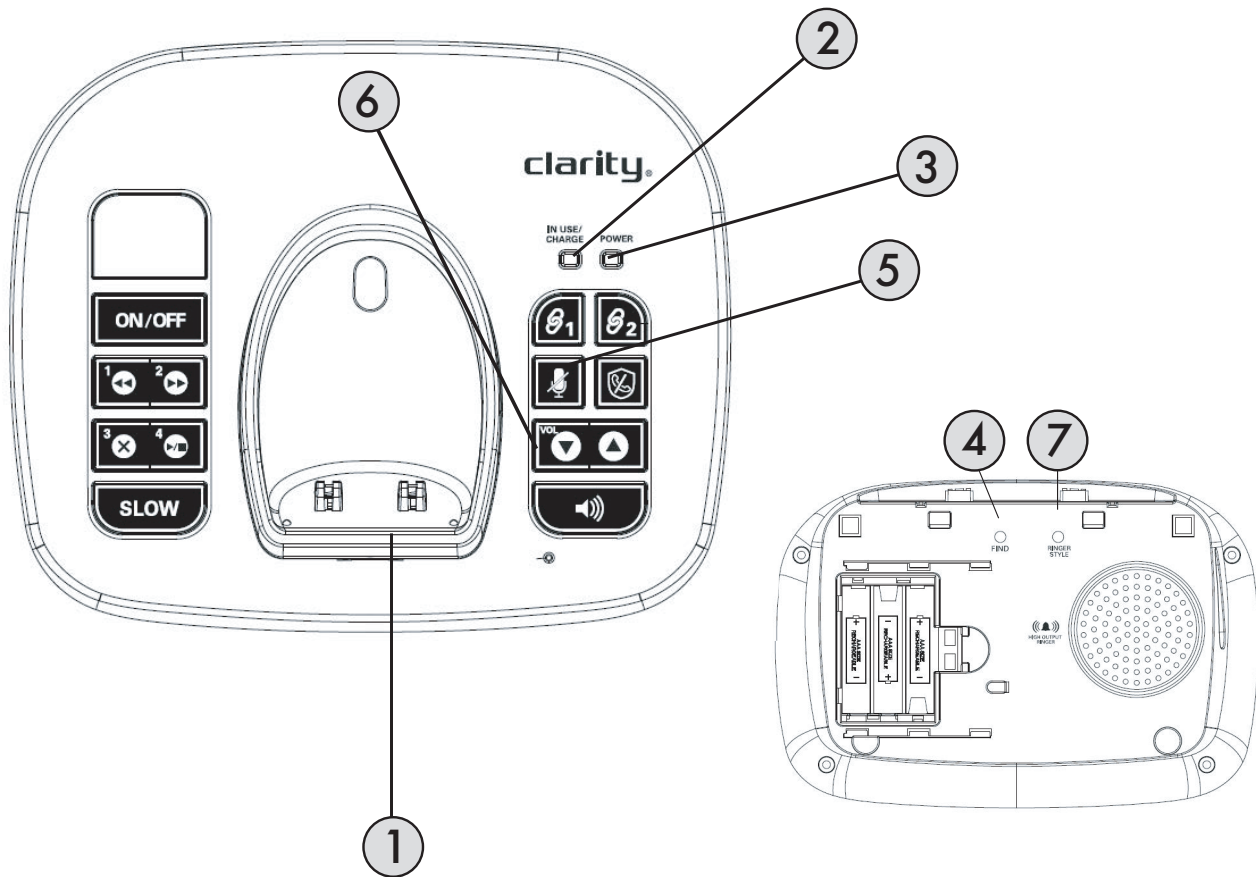
18. Belt Clip

19. Speaker

20. Battery Compartment

– the base and handset both use AAA NiMH rechargeable batteries with a typical Lifespan of 2+ years. EPB will maintain these batteries for you.





PHONE BASE:

1. Visual Ringer

– glows red when phone rings or it's in use.

2. In Use Light

– glows red when charging, green when phone is in use.

3. Power Light

– glows green when power adaptor is plugged in, and blinks when battery backup is in use during a power outage.

4. Find My Phone

– press this key to locate your phone.

5. Silent

– turns off base ringer (glows red when turned off).

6. Volume Up/Down*

– press up arrow to increase volume, down arrow to decrease volume.

7. Ringer Style*

– choose from six available ring tones.

**can only set or adjust these functions when phone is not in use*

If you have any questions or need additional assistance using your phone, please feel free to call EPB Tech ProsSM anytime day or night at 423-648-1500.

For a full user guide of this model, please visit epb.com/support

