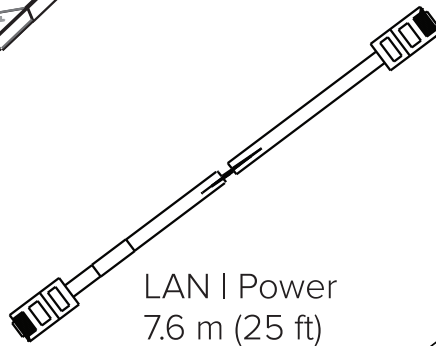
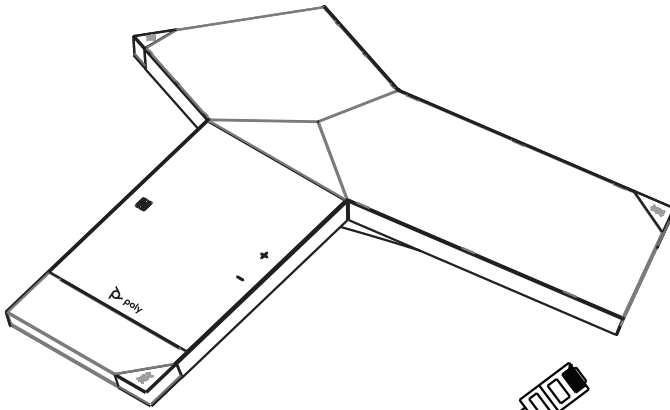


# POLYCOM® TRIO® 8800 Set Up Guide

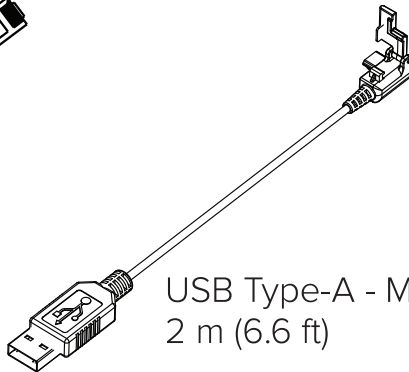


This Set Up Guide applies to Poly Trio 8800 systems.

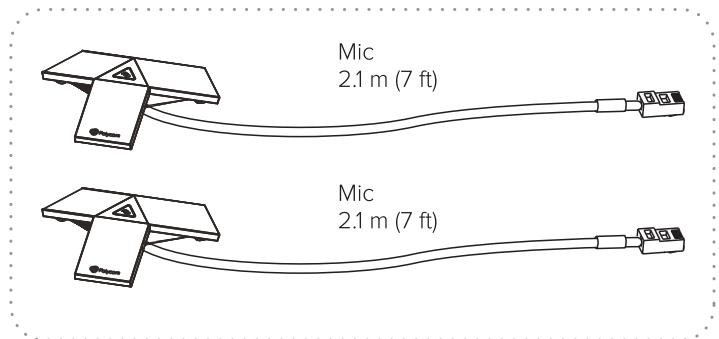
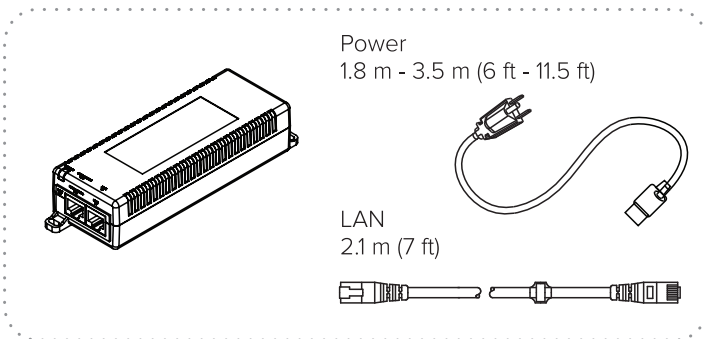
View the *Poly Trio Solution User Guide* for more information on available features.



LAN | Power  
7.6 m (25 ft)



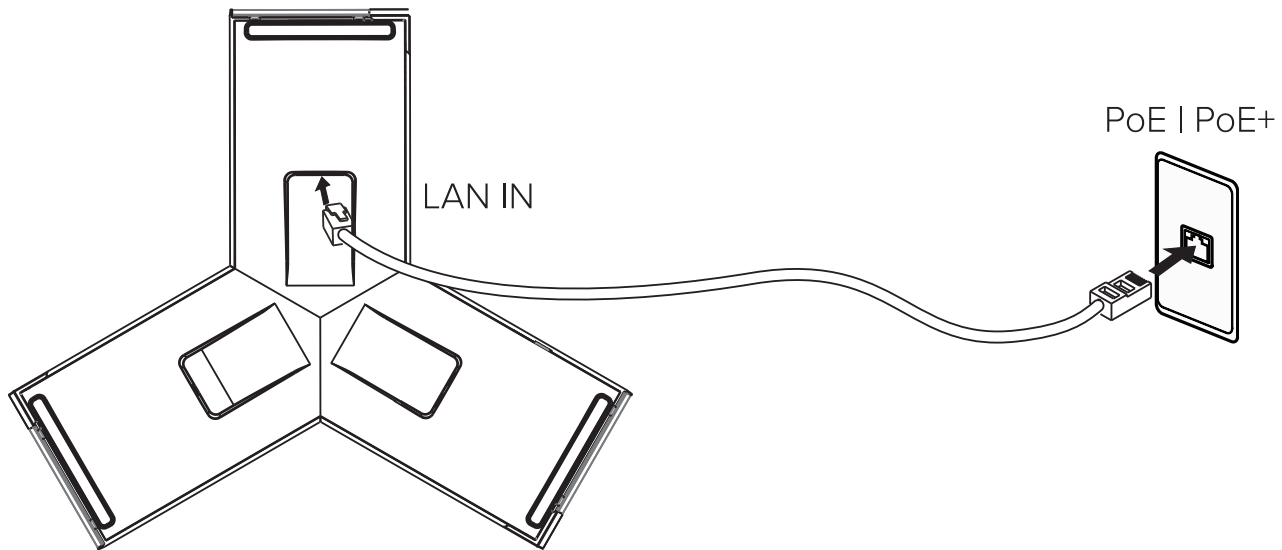
USB Type-A - Micro-B  
2 m (6.6 ft)



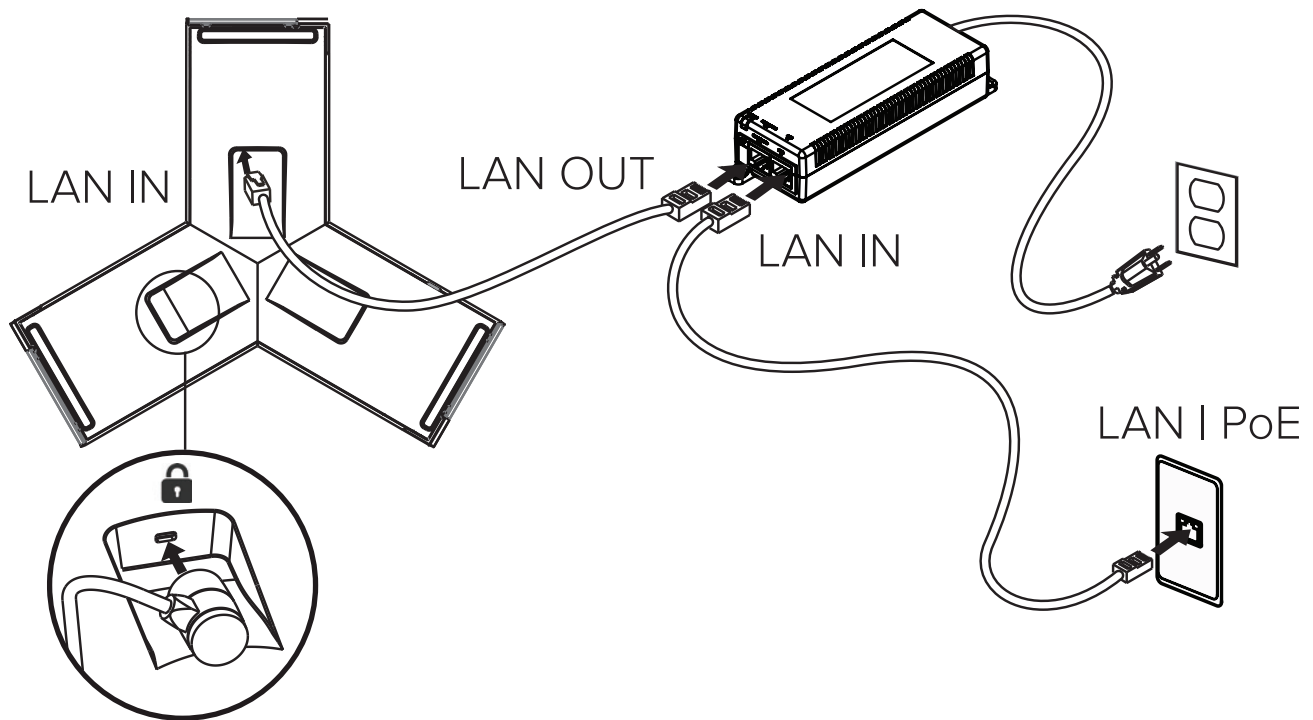
For more information, visit [epb.com/customer-support/business-support](http://epb.com/customer-support/business-support) or call 423-648-1500, option 2



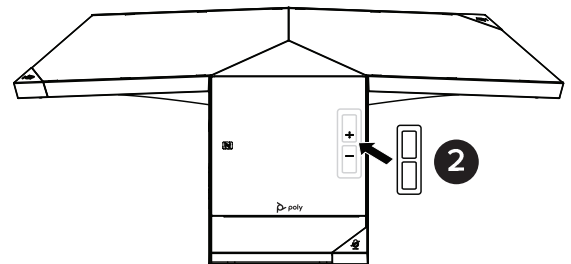
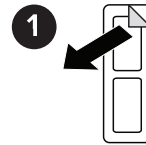
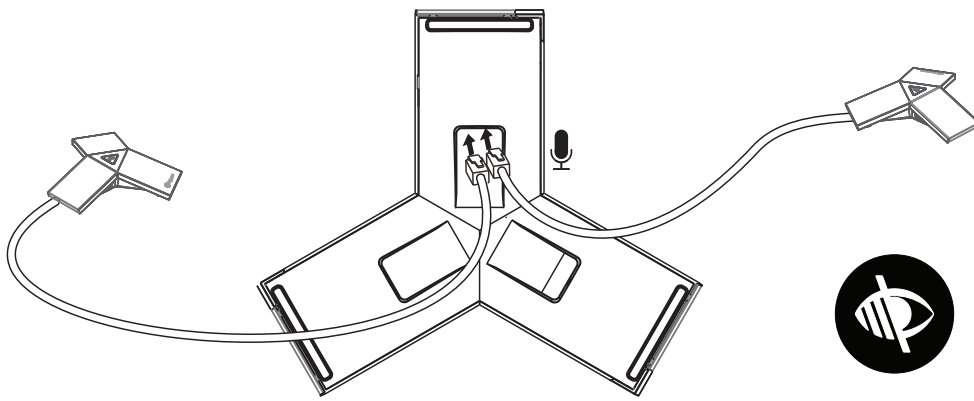
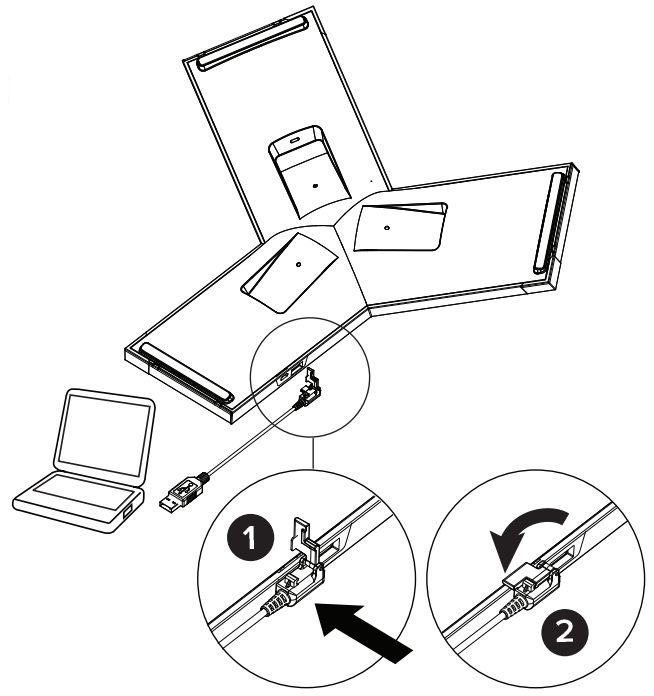
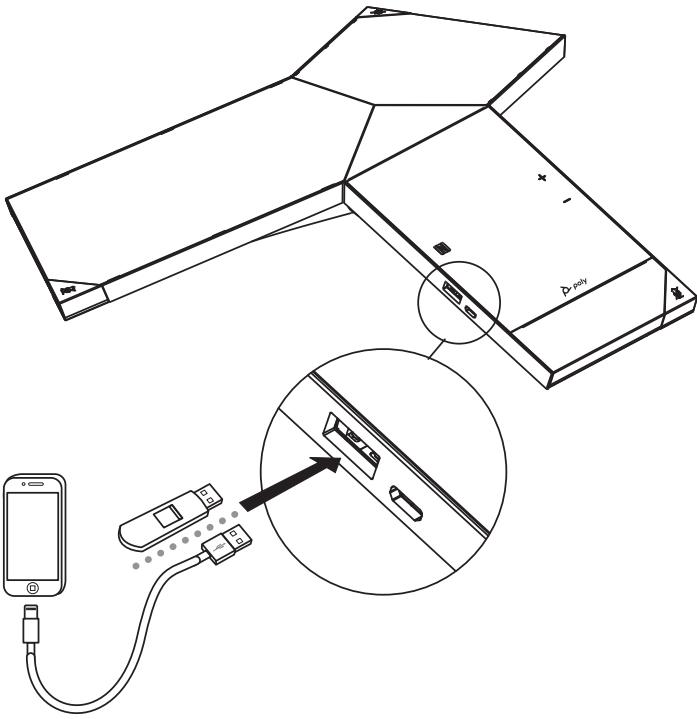
## MINIMUM SETUP



## OPTIONAL SETUP



For more information, visit [epb.com/customer-support/business-support](http://epb.com/customer-support/business-support) or call 423-648-1500, option 2



Hereby, Polycom (UK) Ltd declares that the radio equipment type Polycom® Trio™ 8800 is in compliance with Directive 2014/53/EU. The full text of the EU declaration of conformity is available at the following internet address:  
<https://www.polycom.com/voicedocumentation>

**Polycom RealPresence Trio™ 8800 system Radio Operating Frequency:**  
 2400-2483.5 MHz. Max EIRP 19.9 dBm and 5180-5710 MHz.  
 Max EIRP 20.0 dBm.

© 2019 Plantronics, Inc. All rights reserved. Poly, the propeller design, and the Poly logo are trademarks of Plantronics, Inc. All other trademarks are the property of their respective owners.

For more information, visit [epb.com/customer-support/business-support](http://epb.com/customer-support/business-support) or call 423-648-1500, option 2

